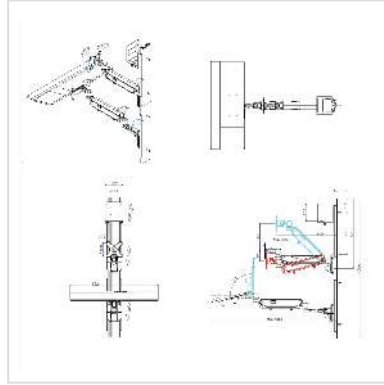


# VALUE Wallmount Workstation, Pneumatic

<b>Product No.</b>	17.99.1139
<b>Manufacturer</b>	VALUE
<b>Manufacturer No.</b>	17.99.1139
<b>EAN (single piece)</b>	7611990116690



- This is a complete solution that accommodates a LCD, keyboard and CPU, creating a sit-stand workstation
- It is perfect for space-constrained areas by simply fold the keyboard and LCD tight against the wall when not in use
- This wall mounted computer workstations include a sturdy 90.5mm (width) x 500mm (length) x 20mm (depth) (x 2pcs.) aluminum posts that mounts to wall
- Articulating arms built-in VESA 75/100 compliant mount bracket can be tilted, panned and rotated.
- The CPU/power supply holder adjusts to hold items up to 100mm (width) securely and includes non-skid cushions to prevent marring
- CPU holder weight capacity: up to 10kg
- Keyboard holder weight capacity: 3-5kg
- Monitor holder weight capacity: 3-5kg

## Technical specifications

Manufacturer	VALUE
Product group	LCD-Monitor arms
Product type	Workstation, wall mount
Colour	grey

Load capacity	15 kg
Fixing	desk clamp
Adjustments	Gas spring
Inclinable	yes
Height adjustable	yes
Rotatable	yes
Number of monitors	1
VESA 75 x 75 mm	yes
VESA 100 x 100 mm	yes
Material group	metal
Technical particularity	vertically adjustable
Weight	13.91 kg
Height of packaging (single piece)	170 mm
Width of packaging (single piece)	300 mm
Depth of packaging (single piece)	800 mm
Package weight (single piece)	14.8 kg