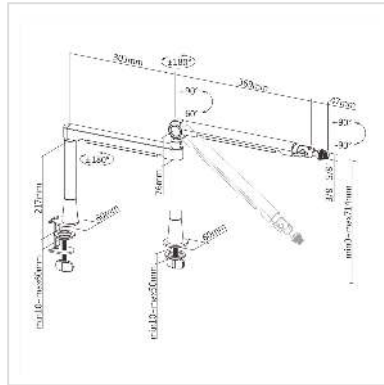


ROLINE Aluminum Professional Studio Microphone Arm

Product No.	17.03.0117
Manufacturer	ROLINE
Manufacturer No.	17.03.0117
EAN (single piece)	7630049628946



Professional studio microphone arm made of aluminum - essential for anyone who produces videos for the Internet, e.g. for YouTube or Instagram.

- Aluminum Professional Studio Microphone Arm
- With smooth and effortless microphone adjustments and positioning
- The aluminum structure is lightweight, sturdy and durable enough to support even the heaviest mics
- Clamp-on and grommet mounts are included for versatile mounting options
- Padded to prevent surface scratches while preventing sound vibration from impacting recordings and live streams
- Includes an universal adaptor for use with almost any microphone

Material: aluminum, steel, plastic

Applicable Devices: Microphone

Surface Thickness: 10-50mm (grommet), 10-60mm (clamp mount)

Technical specifications

Manufacturer	ROLINE
Product group	LCD-Monitor arms
Product type	Monitor stand
Colour	black

Load capacity	0.5 kg
---------------	--------

Number of monitors	1
--------------------	---

Height of packaging (single piece)	90 mm
---------------------------------------	-------

Width of packaging (single piece)	120 mm
--------------------------------------	--------

Depth of packaging (single piece)	400 mm
--------------------------------------	--------

Package weight (single piece)	0.5 kg
----------------------------------	--------