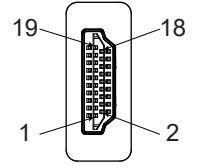
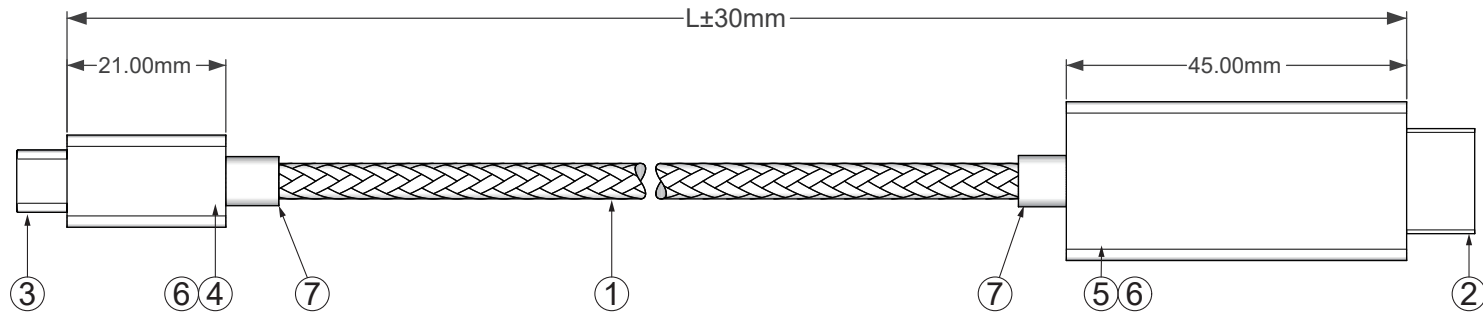
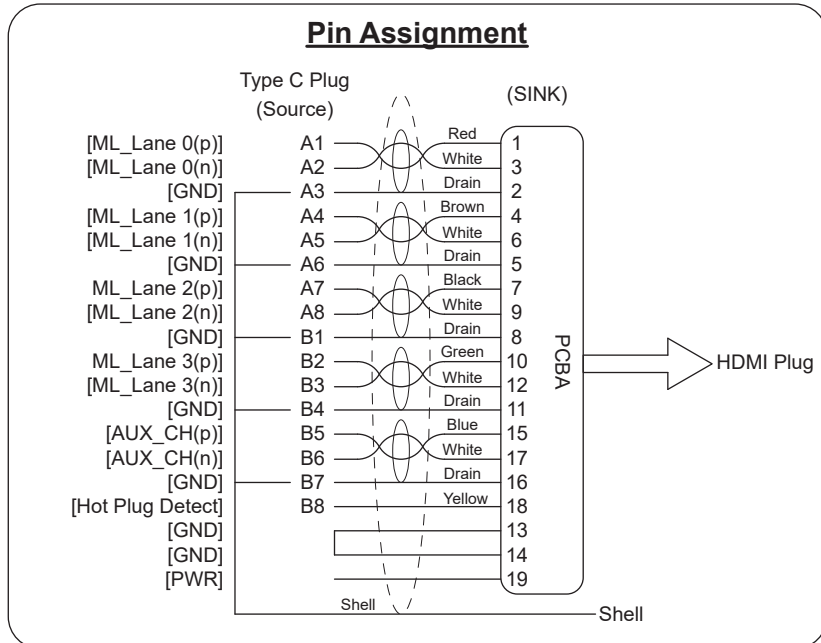


USB Type C Plug



HDMI Plug

Pin Assignment



Specification

- 1. Cable UL20276, (34AWG*1P+AL/MY)*4P+32AWG*3C+28AWG*1C+24AWG*2C+ADB, Jacket with Braid, OD: 4.2±0.15mm(OD 5.2mm with Braiding)
- 2. Conn. HDMI Plug, with PCB'A, Insulator: Black, Shell: Gold Plated
- 3. Conn. USB Type C Plug, Insulator: Black, Shell: Gold Plated
- 4. Hood For USB Type C Plug, ABS, Color: Gold
- 5. Hood For HDMI Plug, ABC, Color: Gold
- 6. Inner Molding PE
- 7. S.R. Molding PVC, 45P, Color: Black

Note:
Resolution 3840x2160@60HZ

P/N	Length
11.04.5844	1000mm
11.04.5847	2000mm

SECOMP	Product Name	ROLINE Gold USB Type C to HDMI, 4K, M/M	Approve	Check	Draw	Design	Rev.	Date	Contents of Change	Design
	Product No.	11.04.5844 / 11.04.5847	<i>Allen</i>	<i>Allen</i>	<i>Kuan</i>	<i>Kuan</i>	1			
Drawing Date : 2019/03/05			Scale 1:1		Unit : mm		2			
			⊕				3			